

MOTOR SPECIFICATION SHEET

MODEL : SF-QRGH 3HP 4P RATIO 1:20 (LT)

USED FOR : GEAR MOTOR

| DESCRIPTION | DETAIL | | | |
|----------------------------------|--|------|------|--|
| PHASE | 3 | | | |
| MODEL NAME | SF-QRGH | | | |
| RATED OUTPUT, HP (kW) | 3 (2.2) | | | |
| POLE | 4 | | | |
| CODE | MEATH CODE : 1G7020-0220N-LTQR0 | | | |
| OUTLINE DRAWING NO. | ONM04O343-A | | | |
| RATED VOLTAGE (V) | 220 | 380 | 415 | |
| RATED FREQUENCY (Hz) | 50 | 50 | 50 | |
| RATED CURRENT (A) | 8.7 | 5.0 | 4.9 | |
| RATED SPEED (min ⁻¹) | 75 | 75 | 75.5 | |
| RATED EFFICIENCY (%) | 79.7 | 79.7 | 79.7 | |
| EFFICIENCY CLASS | IE1 | | | |
| THERMAL CLASS | 155(F) | | | |
| RATING | S1 (CONTINUOUS) | | | |
| ENCLOSURE CONSTRUCTION | TOTALLY ENCLOSED FAN COOLED | | | |
| DEGREES OF PROTECTION | IP55 | | | |
| METHOD OF COOLING | IC411 | | | |
| FRAME NO. | 100L | | | |
| WEIGHT (kg) | 55 | | | |
| STANDARD | IEC 60034-1, IEC 60034-30-1 | | | |
| INSTALLATION | FOOT MOUNTED | | | |
| ROTATION | CCW (VIEWED FROM SHAFT END) | | | |
| BEARING | LOAD SIDE : 6306ZZ | | | |
| | OPPOSITE SIDE : 6205ZZ | | | |
| BEARING GREASE | UREA GREASE | | | |
| CIRCUMSTANCE CONDITION | AMBIENT TEMPERATURE : -20 ~ +40°C | | | |
| | AMBIENT HUMIDITY : 95%RH OR LESS | | | |
| | ABOVE SEA LEVEL : 1000m OR LESS | | | |
| | ENVIRONMENT : NO BURSTING/EROSIVE GAS OR VAPOR | | | |
| COLOR | MUNSELL N1.5 (BLACK) | | | |
| TERMINAL BOX | NO. OF LEAD WIRES : 6 | | | |
| | SOURCE CONNECTION : TERMINAL BLOCK | | | |
| GEAR RATIO | 1:20 | | | |
| GEAR LUBRICANT | GREASE (Filled from factory.) | | | |
| SERVICE FACTOR | 1.4 | | | |
| MATERIAL | FRAME : STEEL PLATE | | | |
| | BRACKET (GEAR SIDE) : CAST IRON | | | |
| | BRACKET (OPP SIDE) : ALUMINIUM | | | |
| | GEAR CASE : CAST IRON | | | |
| | SHAFT (MOTOR) : STEEL | | | |
| | SHAFT (GEAR OUTPUT) : STEEL | | | |
| | STATOR CORE : ELECTRICAL STEEL | | | |
| | WIRE : ENAMELLED COPPER MAGNET WIRE | | | |
| | ROTOR CORE : ELECTRICAL STEEL | | | |
| | CONDUCTOR : ALUMINIUM | | | |
| | TERMINAL BOX : STEEL PLATE | | | |
| PAINTING | PAINTING : POLYURETHANE RESIN | | | |
| | PRODUCTION COUNTRY : THAILAND | | | |

Specifications subject to change without notice.

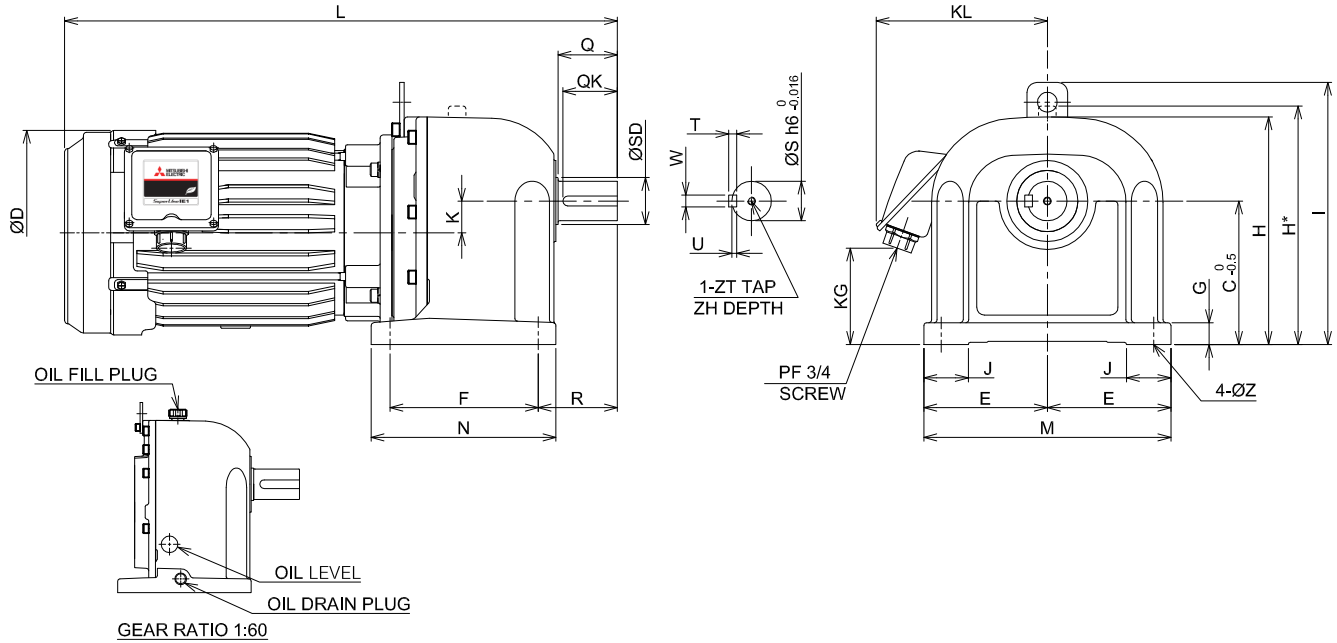
SPECIFICATION SHEET NO.

SS-M-0896-B

MODEL SF-QRGH THREE PHASE INDUCTION MOTOR OUTLINE DRAWING

GEAR MOTOR
 TOTALLY ENCLOSED FAN COOLED
 DEGREES OF PROTECTION IP55
 DUST & WATER JET PROOF

CUSTOMER _____
 USER _____
 FOR _____
 CUSTOMER'S ORDER NO. _____
 QUANTITY _____
 MFG. ORDER NO. _____



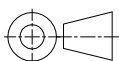
| YOUR ORDER | GEAR RATIO | DIMENSION(mm.) | | | | | | | | | | | | | | | | | | | | WEIGHT (kg.) | | | | | |
|------------|------------|----------------|----|----|-----|----|-----|-----|-----|----|----|-----|-----|----|----|-----|-----|-----|----|-------|-----|--------------|-----|------|-----|----|----|
| | | L | Q | QK | ØD | K | F | R | N | T | W | U | ZT | ZH | ØS | ØSD | KL | KG | J | E | M | | G | C | H | I | ØZ |
| | 1:3~1:30 | 559 | 60 | 55 | 207 | 32 | 150 | 80 | 187 | 8 | 12 | 5 | M8 | 12 | 40 | 45 | 170 | 90 | 45 | 107.5 | 250 | 22 | 145 | 230 | 265 | 15 | 55 |
| | 1:40,1:50 | 585 | 75 | 70 | 207 | 40 | 170 | 95 | 206 | 9 | 14 | 5.5 | M8 | 12 | 48 | 50 | 170 | 107 | 50 | 125 | 285 | 22 | 170 | 275 | 310 | 15 | 73 |
| | 1:60 | 627.5 | 82 | 71 | 207 | 50 | 200 | 107 | 240 | 10 | 16 | 6 | M10 | 18 | 55 | 58 | 170 | 122 | 60 | 130 | 300 | 25 | 195 | 330* | 345 | 19 | 90 |

| YOUR ORDER | MOTOR FRAME SIZE | RATING | TH. CLASS | AMB. TEMP | BEARINGS | | COLOR | GEAR RATIO | DIRECTION OF ROTATION (VIEWED FROM SHAFT END) | NO. OF LEAD WIRES | REMARKS |
|------------|------------------|------------|-----------|-----------|-----------|-----------|----------------------|------------|---|-------------------|---------|
| | | | | | LOAD SIDE | OPP. SIDE | | | | | |
| | 100L | S1 (CONT.) | 155(F) | 40°C | 6306ZZ | 6205ZZ | BLACK (MUNSELL N1.5) | 1:3~1:30 | CCW | 6 | |
| | | | | | | | | 1:40~1:60 | CW | | |

| YOUR ORDER | RATIO | SERVICE FACTOR | MOTOR OUTPUT | | POLE | VOLT | HERTZ | OUTPUT SPEED (min ⁻¹) | AMP. | IE CODE-RATED EFF. | TYPE | LUBRICATION TYPE |
|------------|-------|----------------|--------------|-----|------|-------------|-------|-----------------------------------|-------------|-----------------------|------|-----------------------|
| | | | HP | kW | | | | | | | | |
| | 1:3 | 1.4 | 3 | 2.2 | 4 | 220/380/415 | 50 | 465/465/470 | 8.7/5.0/4.9 | IE1-79.7%/79.7%/79.7% | LT | GREASE ⁽¹⁾ |
| | 1:5 | 1.4 | 3 | 2.2 | 4 | 220/380/415 | 50 | 285/285/290 | | | | |
| | 1:10 | 1.4 | 3 | 2.2 | 4 | 220/380/415 | 50 | 142/142/143 | | | | |
| | 1:15 | 1.4 | 3 | 2.2 | 4 | 220/380/415 | 50 | 97/97/98 | | | | |
| | 1:20 | 1.4 | 3 | 2.2 | 4 | 220/380/415 | 50 | 75/75/75.5 | | | | |
| | 1:25 | 1.4 | 3 | 2.2 | 4 | 220/380/415 | 50 | 61/61/61.5 | | | | |
| | 1:30 | 1.4 | 3 | 2.2 | 4 | 220/380/415 | 50 | 48/48/48.5 | | | | |
| | 1:40 | 1.4 | 3 | 2.2 | 4 | 220/380/415 | 50 | 36/36/36.5 | | | | |
| | 1:50 | 1.4 | 3 | 2.2 | 4 | 220/380/415 | 50 | 31.5/31.5/31.5 | | | | |
| | 1:60 | 1.4 | 3 | 2.2 | 4 | 220/380/415 | 50 | 24/24/24 | | | | OIL ⁽²⁾ |

NOTE : (1) GREASE HAD BEEN FILLED FROM MANUFACTURER ALREADY.
 (2) PLEASE FILL IN OIL BEFORE FIRST TIME USAGE. (SEE DETAIL IN THE INSTRUCTION MANUAL)

MITSUBISHI ELECTRIC AUTOMATION (THAILAND) CO.,LTD.



DIMENSION IN mm.
 SCALE : NTS

OUTLINE DRAWING NO.

ONM040343

REV.
 A